

# Plurio LED

# THORN

## 96260733 PLURIO R LED 30W/BP8 CL2 STR

LED 31W LED_Plurio_1838	IP66	IK08		
-------------------------	------	------	---	---

### Plurio LED

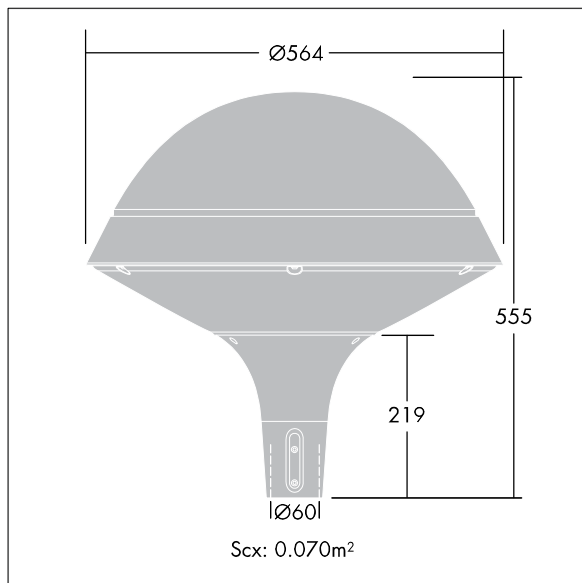
Decorative, post-top lantern with 1838lm LED package with electronic driver. Class II electrical, IP66, IK08. Base in cast aluminium, powder coated silver-grey. Canopy in round shape, made from aluminium textured silver-grey (close to RAL9006). UV stabilised polycarbonate clear diffuser with anti-glare prisms. Internal street reflector. Equipped with power reduction circuit, effective 3 hours before and 5 hours after a calculated midnight. It can be deactivated at installation with an easily accessible internal switch. Supplied complete in one box. Complete with 4200K LED

To be post top mounted on a spigot of Ø60mm, length 75mm.

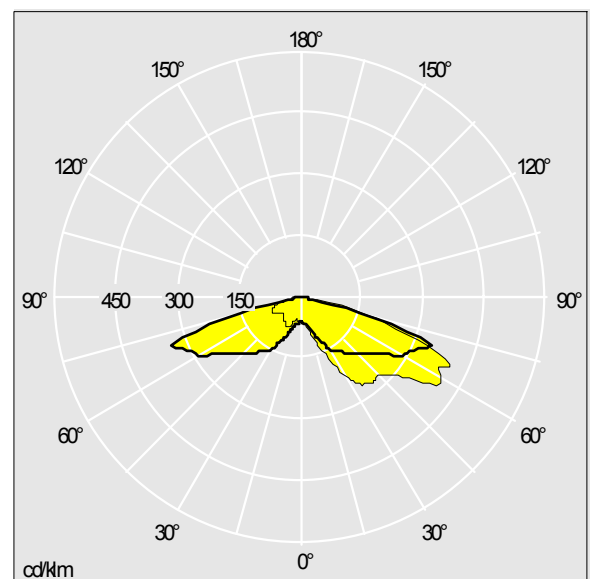
Dimensions: Ø564 x 564 mm  
Total power: 30 W  
Weight: 7.2 kg  
Scx: 0.073m<sup>2</sup>  
Luminaire efficacy: 61 lm/W



TLG\_PLRO\_F\_LEDSTREETRND.jpg



TLG\_PLRO\_M\_SPHRd60.wmf



TLLA\_PLDAS5\_DC.ltd

Lamp position: STD - standard  
Lamps: 1 x LED\_Plurio\_1838 / 30W  
Total luminous flux: 1838 lm  
Luminaire efficacy: 61 lm/W  
Ballast: 1x LED\_Con  
Connected Load: 30 W  
LOR: 1,00 ULOR: 0,00 DLOR: 1,00